

---

# A-BEAM LIGHT

---

---

**Design By**

Thomas Housden

---

**Material & Finish**

Ceramic Extrusion & Silicone Caps

Raw Terracotta

---

**Dimensions & Weight**

L1600 H77mm W51mm

9 KG

---

**Lamp Type & Wattage**

12V DC LED 20W per metre

1284 - 1345 lumen per metre

2700K or 3000K colour temp

---

**IP Rating**

IP40

---



---

**Hand & Eye Studio**

Purple Studio  
Old Paradise Yard  
20 Carlisle Lane  
London  
SE17LG

T +44 (0)1252 715646

info@handandeyestudio.co.uk

---

---

## SAFETY NOTES

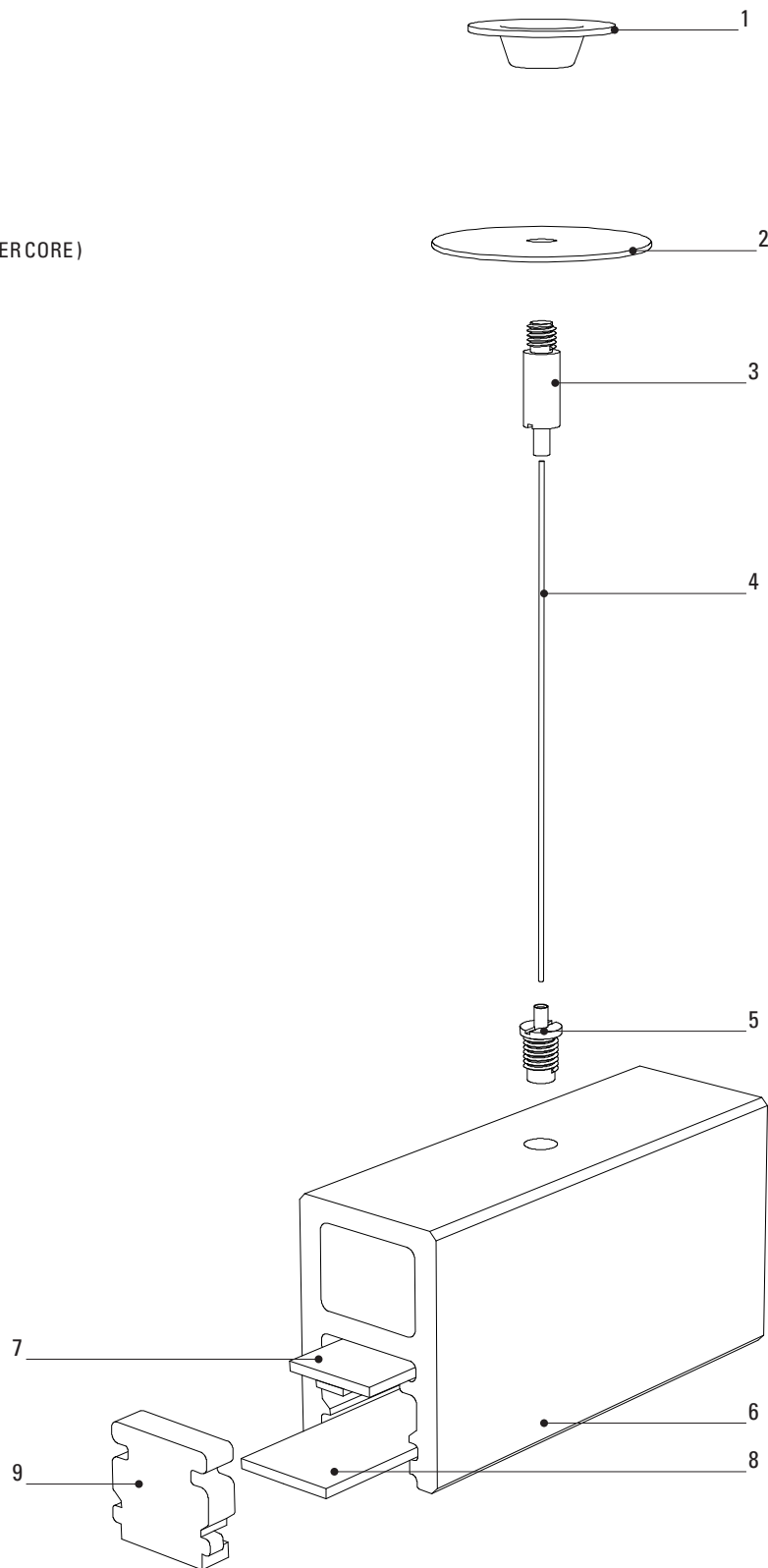
---



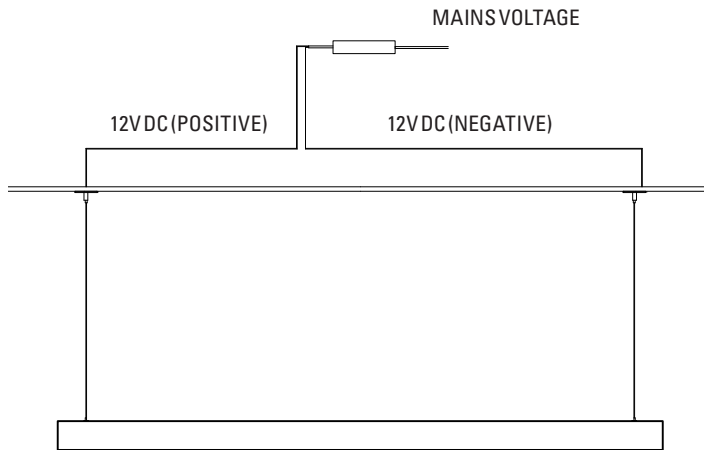
- 
- 1 Please read these instructions carefully before commencing assembly and installation
  - 2 We recommend the use of a professional trades person with suitable qualifications for the installation of electrical lamps
  - 3 Two people are required for the safe installation of the A-Beam lamp
  - 4 Products with electronic ballast / drivers must not be installed on the same electrical circuit as products with inductive loads, for example magnetic fluorescent luminaries, motors or ventilators. Inductive loads can generate excessive voltage surges and can damage electronic ballasts
  - 5 Ensure that negative and positive wires are isolated at all times. Metal ceiling grids / trays will short circuit the lamp.  
  
Ensure correct connection of cables (positive / negative). the led will not work if polarity is reversed.  
  
LIVE: Normally Brown / Red  
NEUTRAL: Normally Blue / Black  
Earth: Normally Green / Yellow
  - 6 This lamp is made of terracotta. Caution should be taken not to hit the lamp with heavy objects that could cause the ceramic to break. The lamp has a bonded aluminium core to prevent structural failure. Sharp parts and fragments may crack off the lamp in the event of impact.  
  
ALWAYS HANDLE WITH CARE!
  - 7 Always use this lamp either above a table / work surface or at a height above head height. The lamp is solid and heavy so the possibility to walk into the lamp should be avoided. The clamps make it easy to adjust the height of the lamp from floor level.
  - 8 Do not hang off the lamp or lean on the lamp to avoid adding weight to the lamp and suspension system. The lamp is designed to take 40kg per suspension cable but the fixing to the ceiling load capacity will depend on the installation and is not designed to support excessive loading.
-

DIAGRAM 1  
Lamp Components

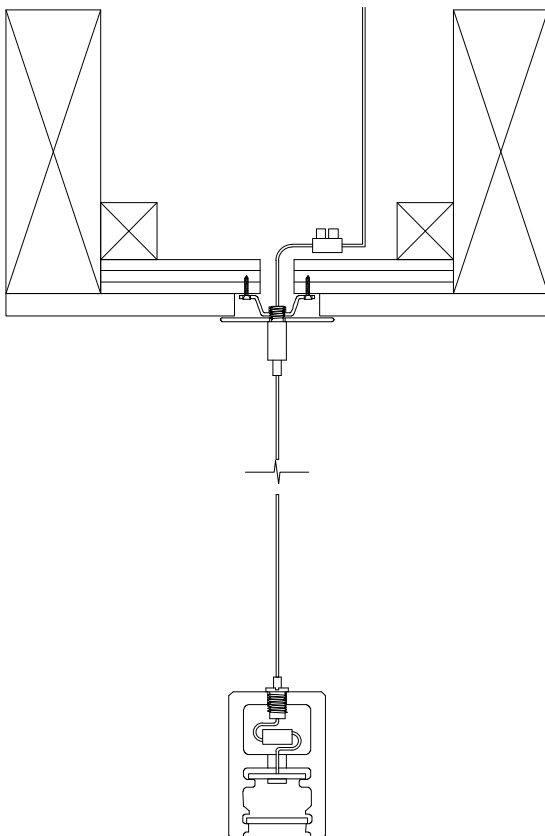
1. CEILING FIXING PLATE X2
2. CEILING ROSE (WHITE) X2
3. CABLE CLAMP X2
4. POWERED SUSPENSION WIRE 2M X2  
(STAINLESS STEEL OUTER COVER WITH COPPER CORE)
5. CABLE CLAMP + NUT X2
6. A-BEAM EXTRUSION X1
7. ALUMINIUM HEAT SINK + LED X1
8. DIFFUSER X1
9. SILICONE END CAP X2



**DIAGRAM 2**  
Wiring Diagram



**DIAGRAM 2**  
Ceiling Rose Components



**1 TURN OFF POWER AT THE MAIN FUSEBOARD**

**2 ENSURE SUITABLE CEILING SUBSTRATE**

- Suspended ceiling applications to have plywood pattress installed suitable to provide secure fixing point suitable for weight of lamp.

**3 CEILING FITTING SEQUENCE**

- Connect transformer supplied to mains electrics and run a positive feed and negative feed to the required locations for suspension. Lamp suspension cable centres are 75mm in from the ends of the beam ie for a 1400 Beam they are 1250mm apart, for 1600 Beam they are 1450mm and for an 1800 Beam they are 1650mm. Transformer to be located Max 10 meters from light source. Ensure Min 1mm copper cable runs from transformer. Note this should be done prior to installing the ceiling!
- Thread Cable (4) through cable clamp (3), ceiling rose (2) and ceiling fixing plate.
- Cut cable (4) to reveal inner copper core and make connection to negative or positive 12V DC supply (see diagram 1) using connector block. Ensure negative and positive 12V DC feeds remain isolated at ALL times.
- Secure fixing plate to plywood pattress using suitable timber screws (not supplied) and thread cable clamp in to ceiling fixing plate. The ceiling rose clamped between will hide the cable hole. Repeat for both cable drops.

**4 A-BEAM FITTING SEQUENCE**

(Min 2 people task)

- Thread cable 4 through the cable clamp (5). Do this to both sides of the lamp with the A-Beam securely placed on a flat surface. This task requires 2 people
- Ensure negative feed is taken to negative LED wire and positive feed is taken to positive LED wire. The lamp will not work if the polarity is reversed.
- One person to hold the A-beam at desired height. Then adjust the wire through the clamps on the A-Beam (5). When height is confirmed cut the excess cable and expose the copper core. Connect to LED tails with connector block provided. Push cable and block in to top hole in A-Beam to conceal.

FIXING COMPONENTS



Item 1  
Product Code ORM-888-0015  
Thread size M8  
3 screw fixings to plywood  
(screws not provided)



Item 2  
Product Code WASH-01  
50mm  
Hole size 8mm



Item 3  
Product Code ORM-888-0001  
Wire size 1.5mm  
Max Load 50Kg  
Thread Size M8



Item 5  
Product Code ORM-878-1018  
Wire size 1.5mm  
Max Load 40Kg  
Thread Size M8

LED INFO



SPECIFICATIONS VERY WARM WHITE

Product Code: ATM 120-12-20-27K  
 Colour Temp: 2700K  
 Watts / Meter: 20W  
 Voltage: 12v DC  
 Number of LED / Meter: 120  
 Width: 10mm  
 Height: 2.2mm  
 Lumen Output / Meter: 1284 - 1345  
 SDCM <3  
 CRI: >92  
 IP: IP 40  
 LIFE SPAN: 50000 HRS

SPECIFICATIONS VERY WARM WHITE

Product Code: ATM 120-12-20-27K  
 Colour Temp: 3000K  
 Watts / Meter: 20W  
 Voltage: 12v DC  
 Number of LED / Meter: 120  
 Width: 10mm  
 Height: 2.2mm  
 Lumen Output / Meter: 1284 - 1345  
 SDCM <3  
 CRI: >92  
 IP: IP40  
 LIFE SPAN: 50000 HRS

DRIVER SPECIFICATIONS / OPTIONS

Input Voltage: 0-250v  
 Output Voltage: 12v DC  
 Cold Start Current: 15A  
 Maximum load: Varies  
 Efficiency at 20C: 83%  
 Overload protect: Auto Reset  
 Dimmable: Mains dimmable driver available (not US) or a variety of dimming interfaces are available on request (1-10V, Dali, Casambi)  
 Cooling: Free Air Convection

I Hand&Eye II A-Beam

---

This luminaire contains built-in LED lamps

A++

A+

A

B

C

D

E

}

LED

The lamps can be changed only by the manufacturer

874/2012